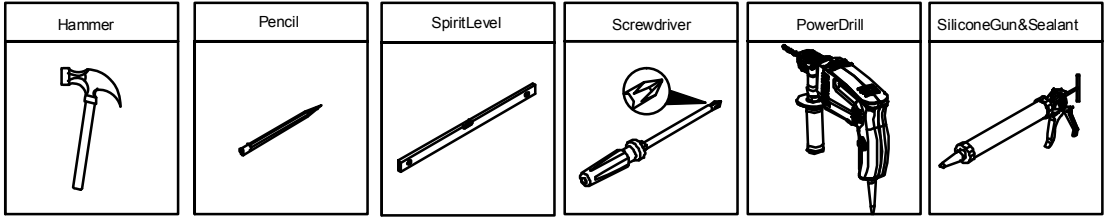
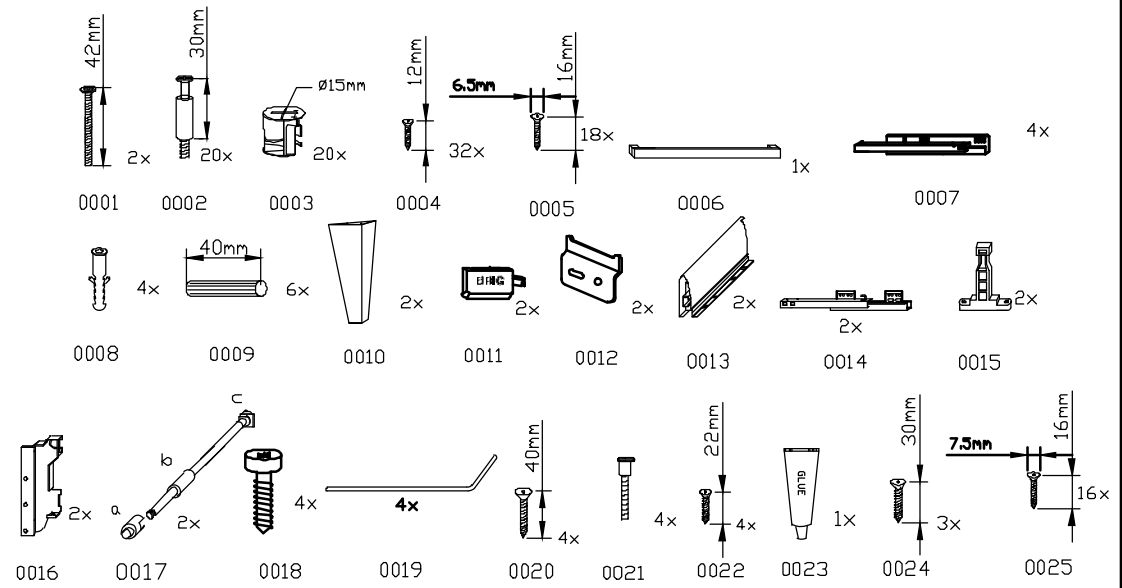
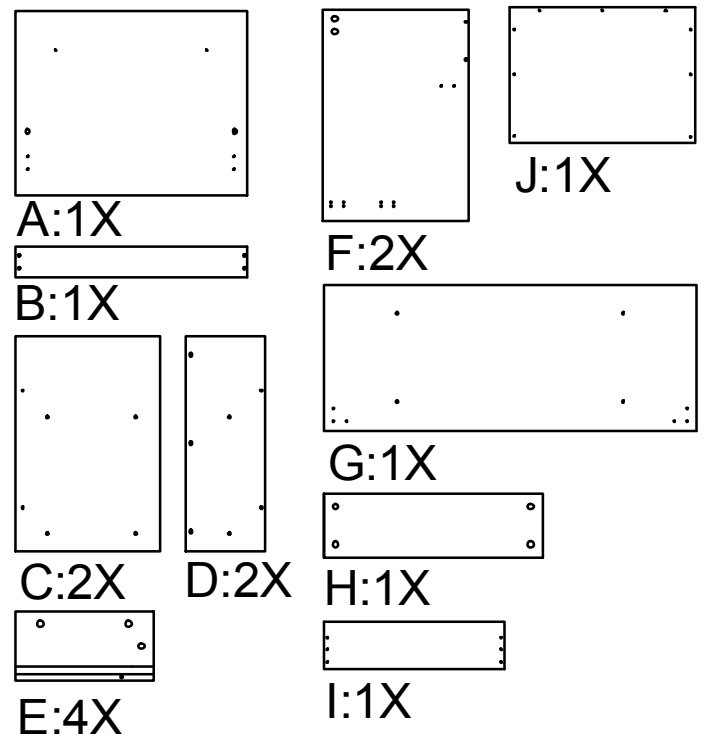
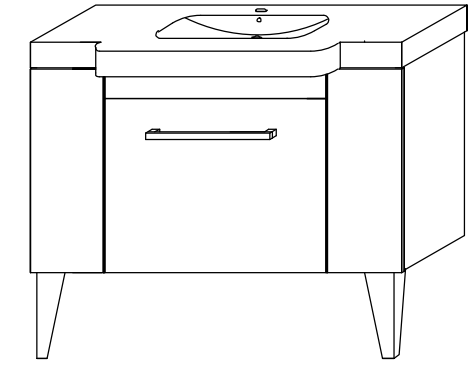


tools

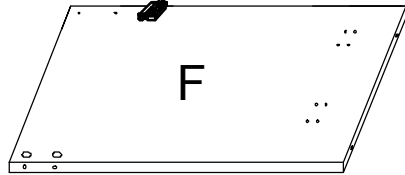
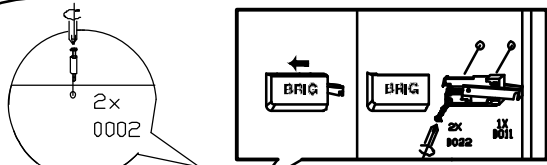


VB-1000R

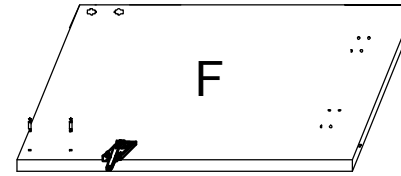
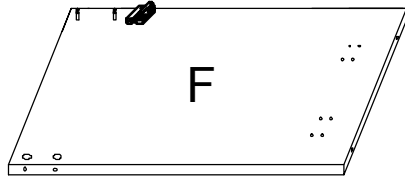
Assembly instruction for bathroom cabinet



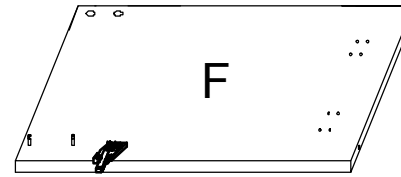
1



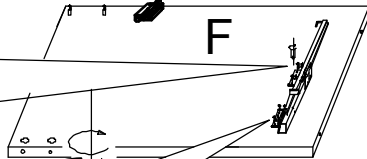
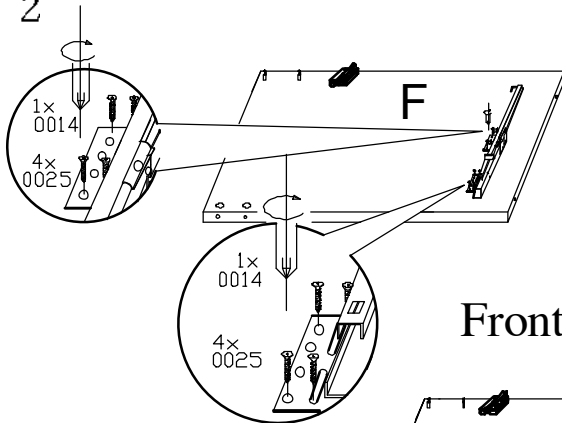
Front



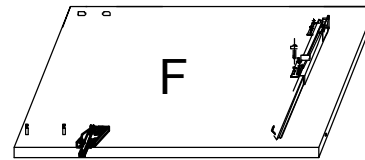
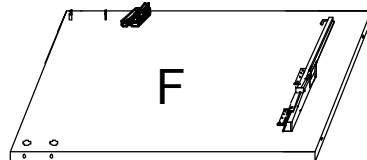
Front



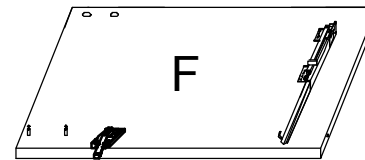
2



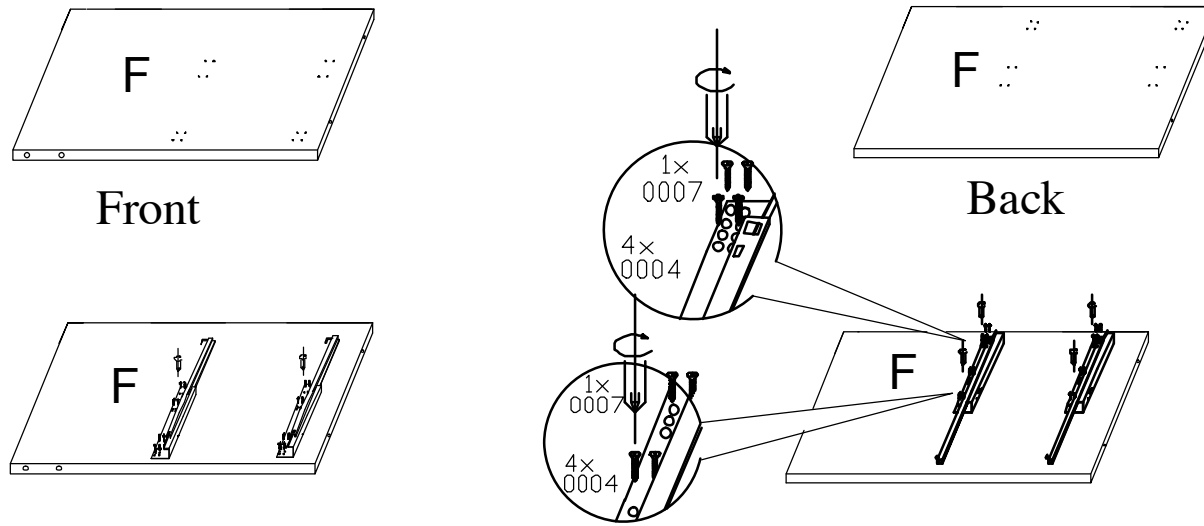
Front



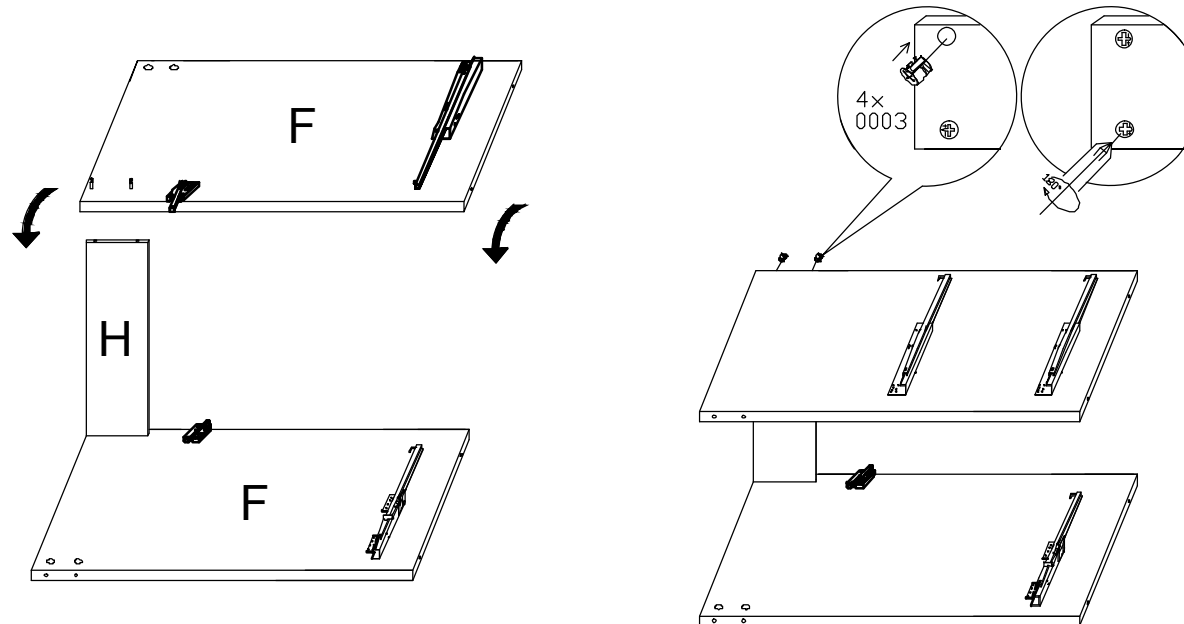
Front



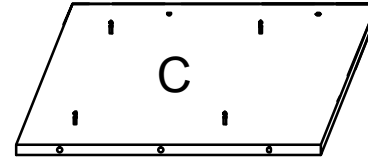
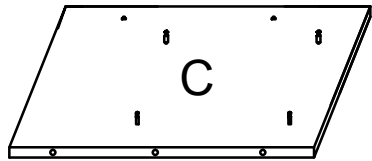
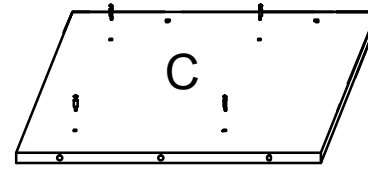
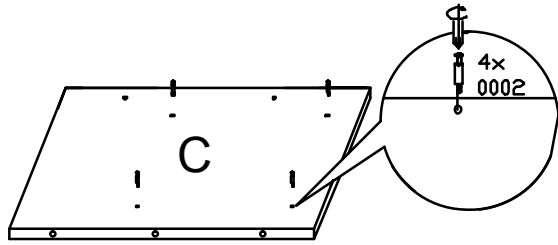
3



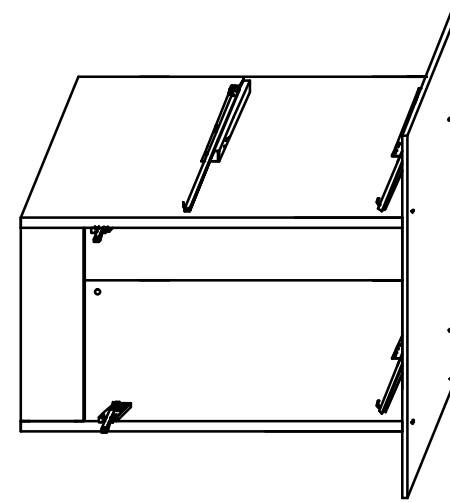
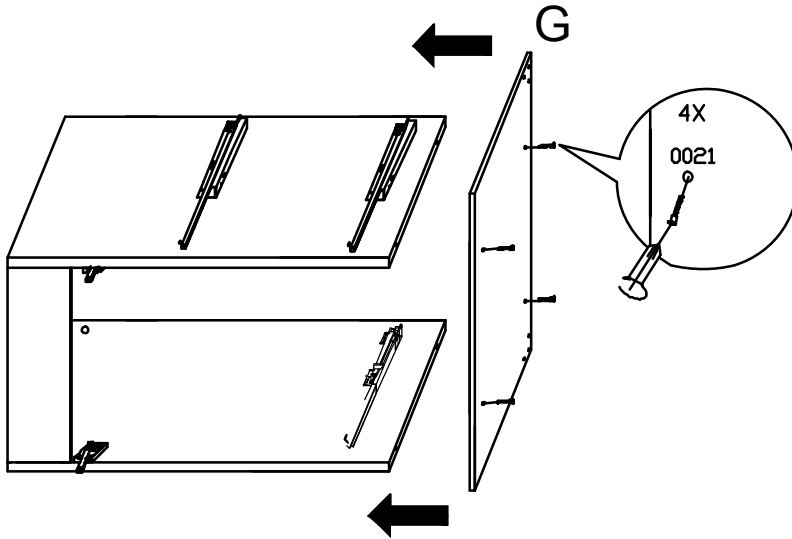
4



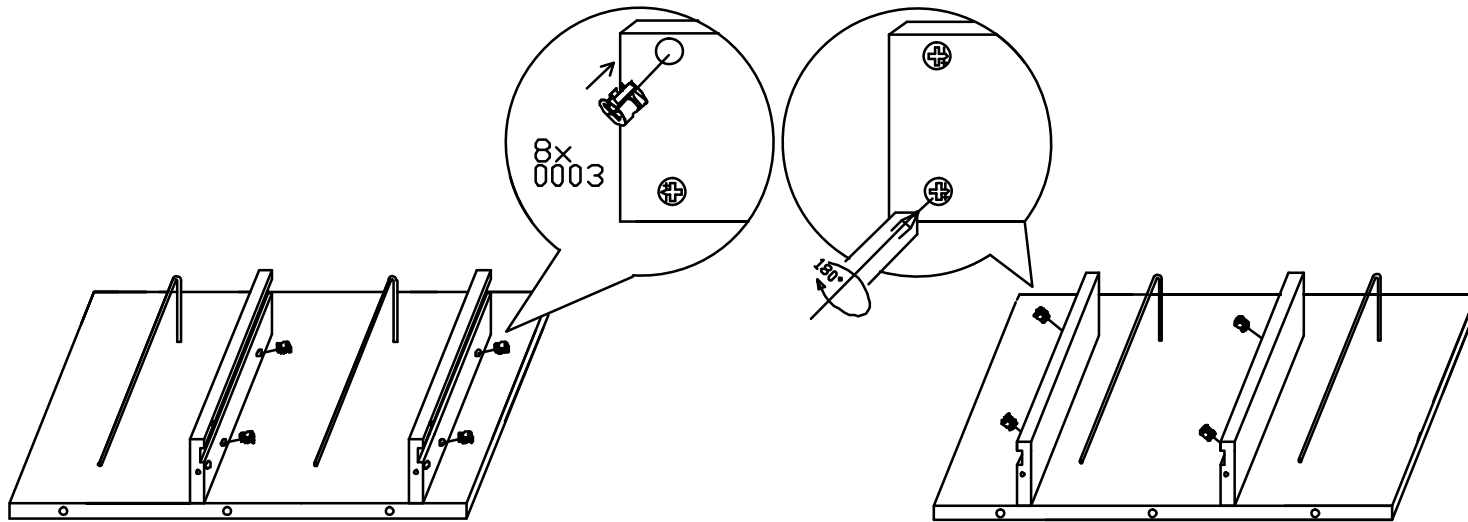
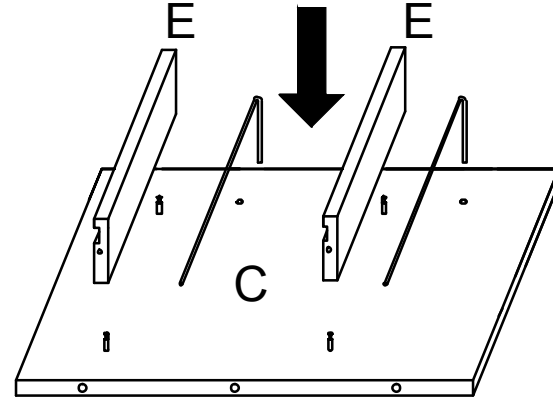
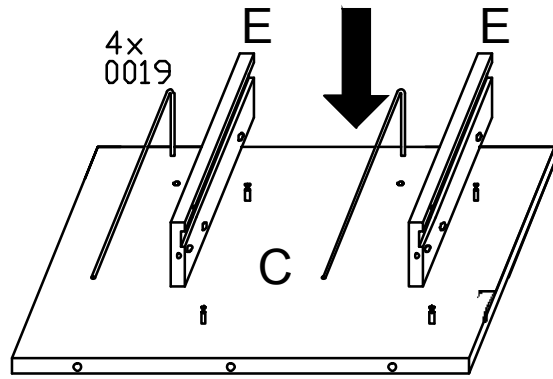
5



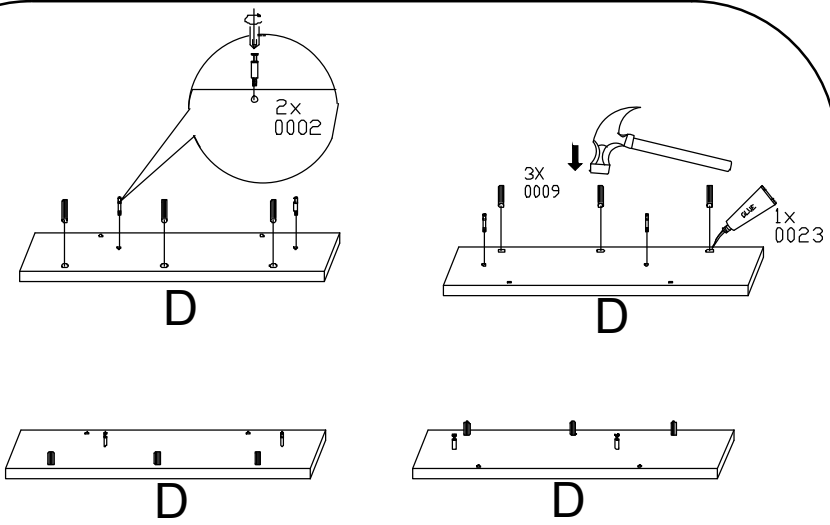
6



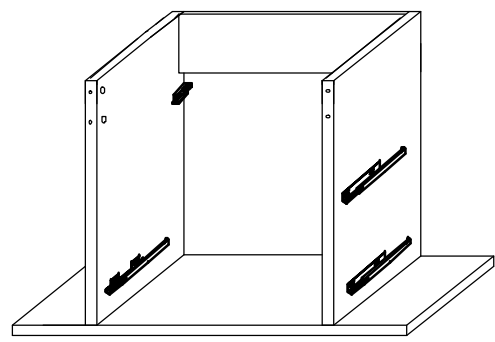
7



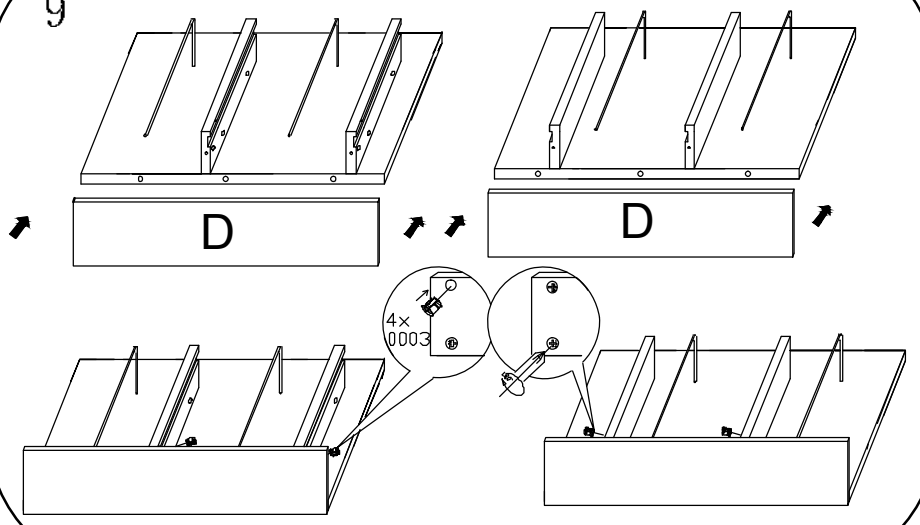
8



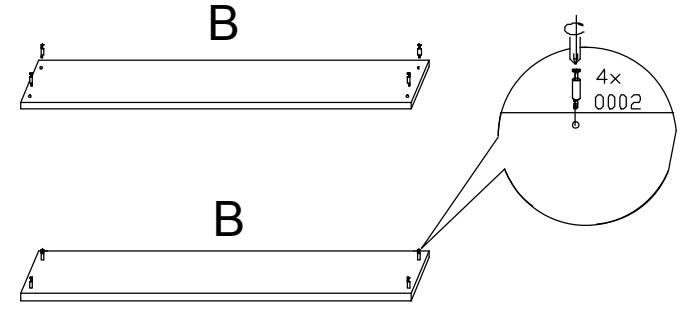
10



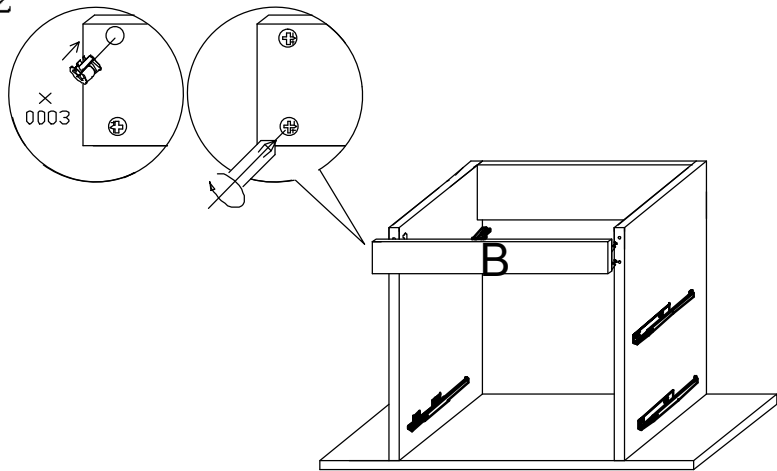
9



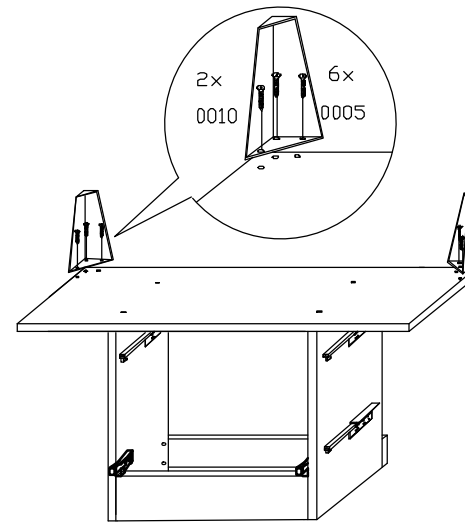
11



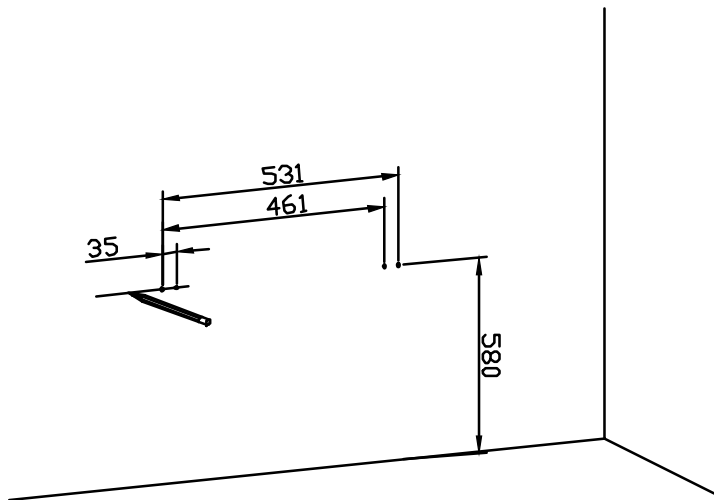
12



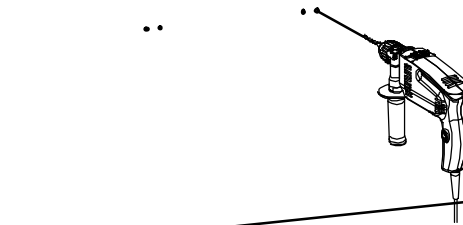
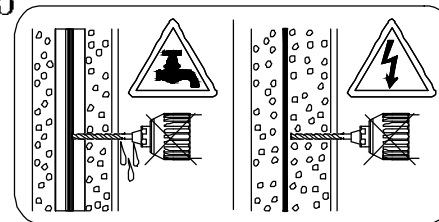
13



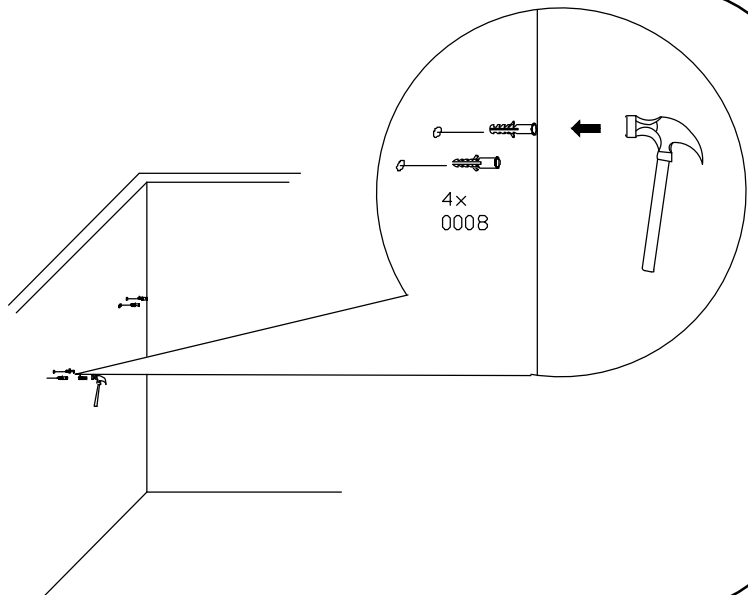
14



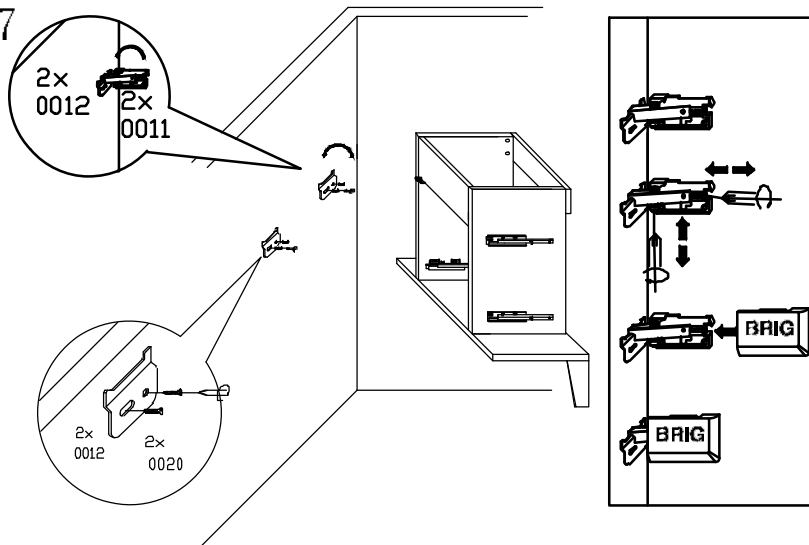
15



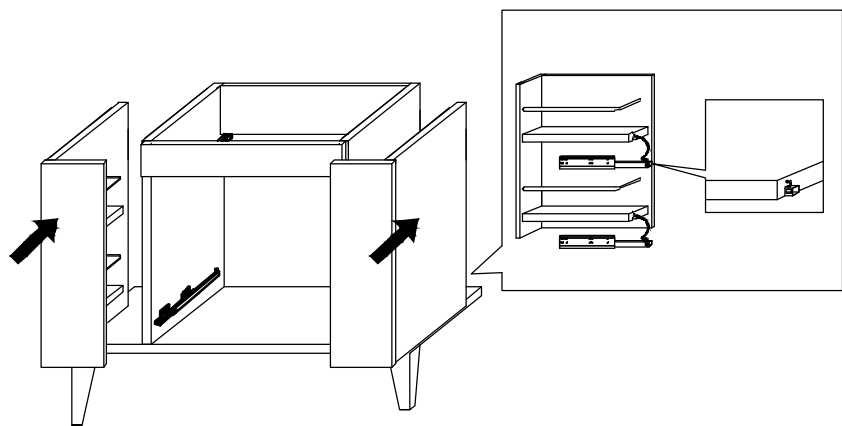
16



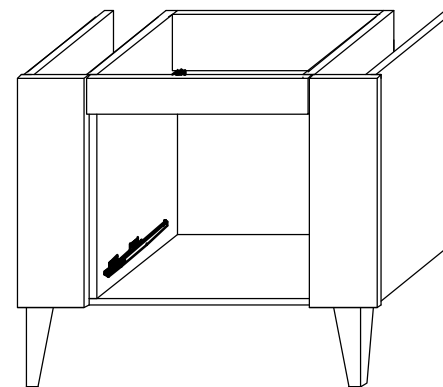
17



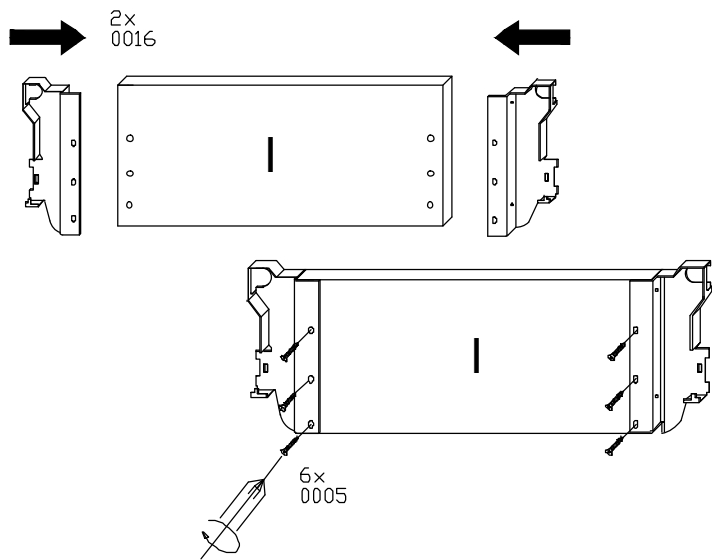
18



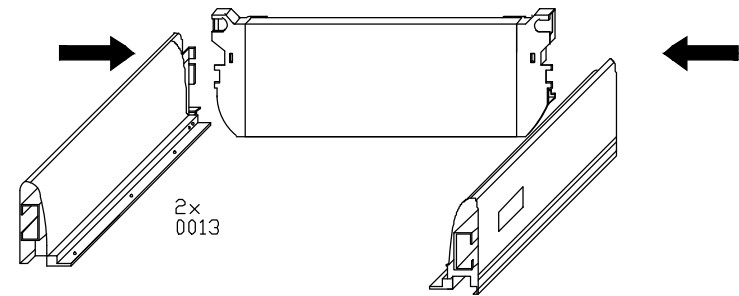
19



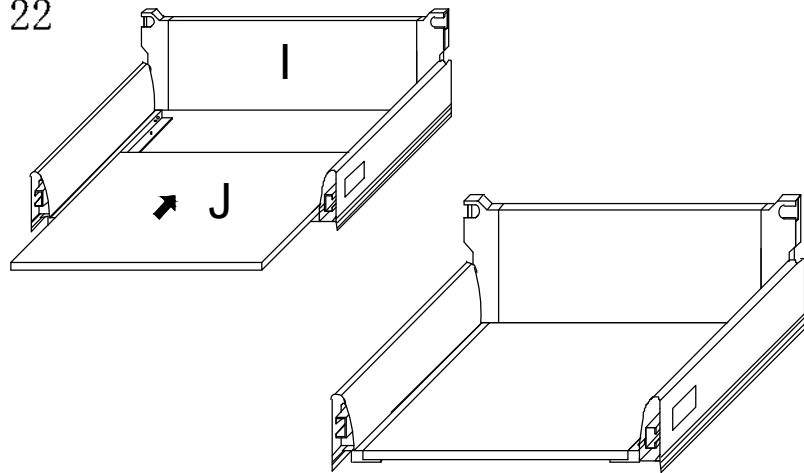
20



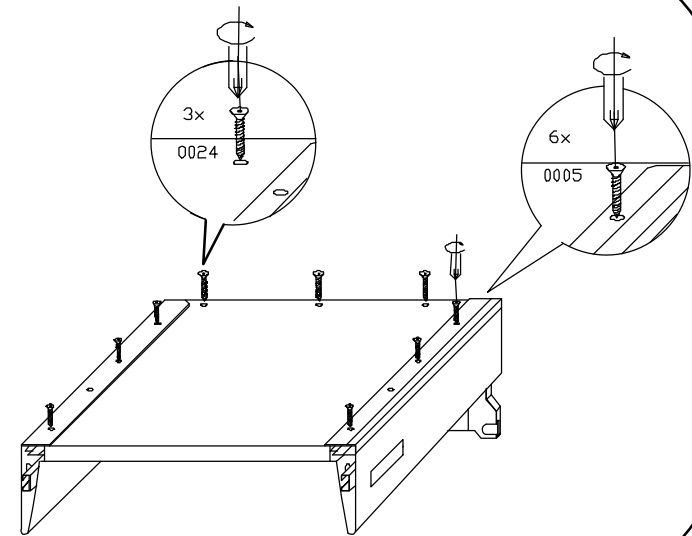
21



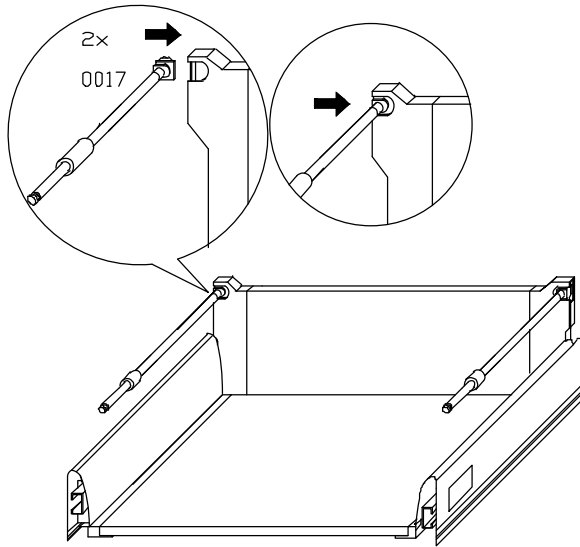
22



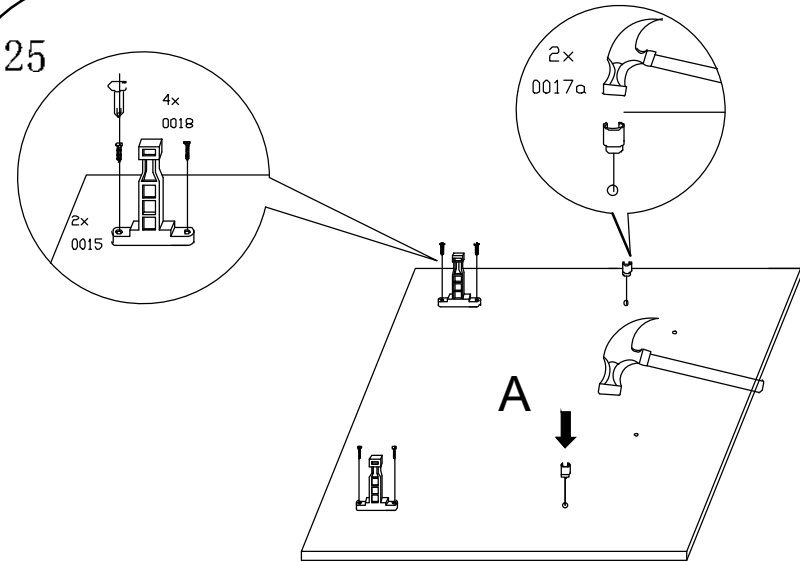
23



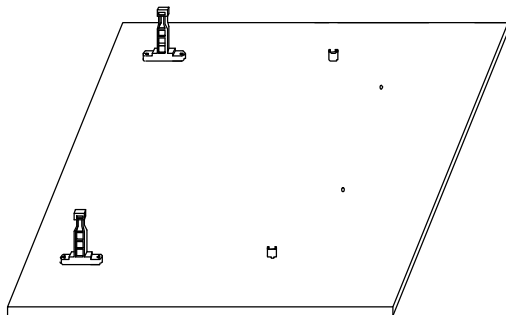
24



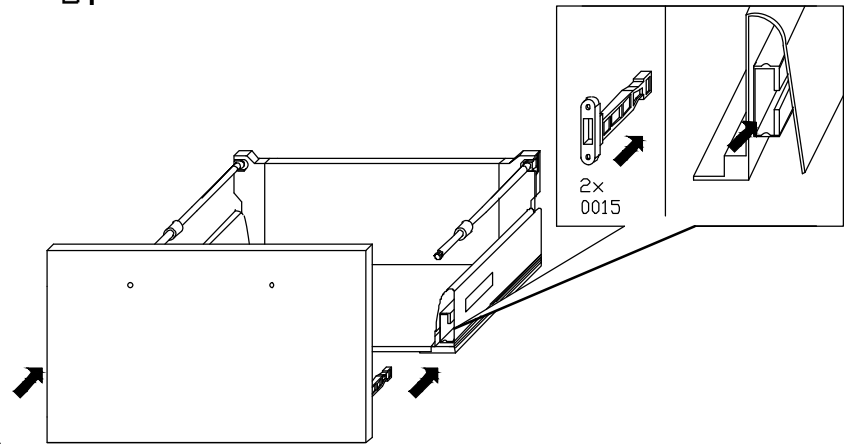
25



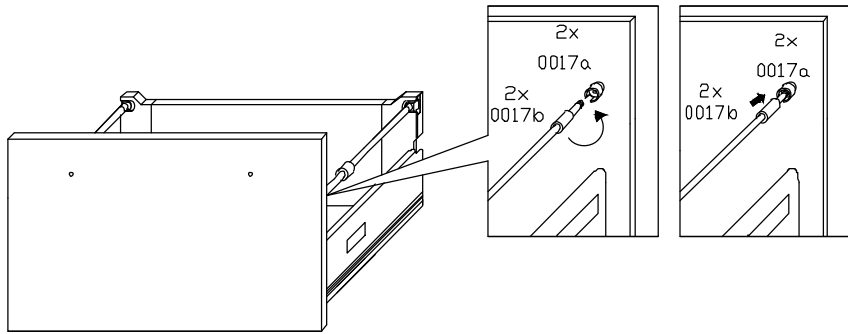
26



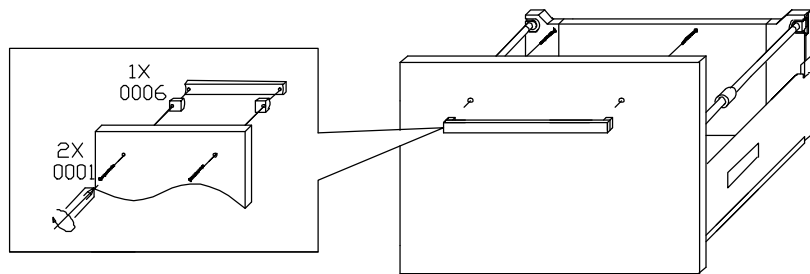
27



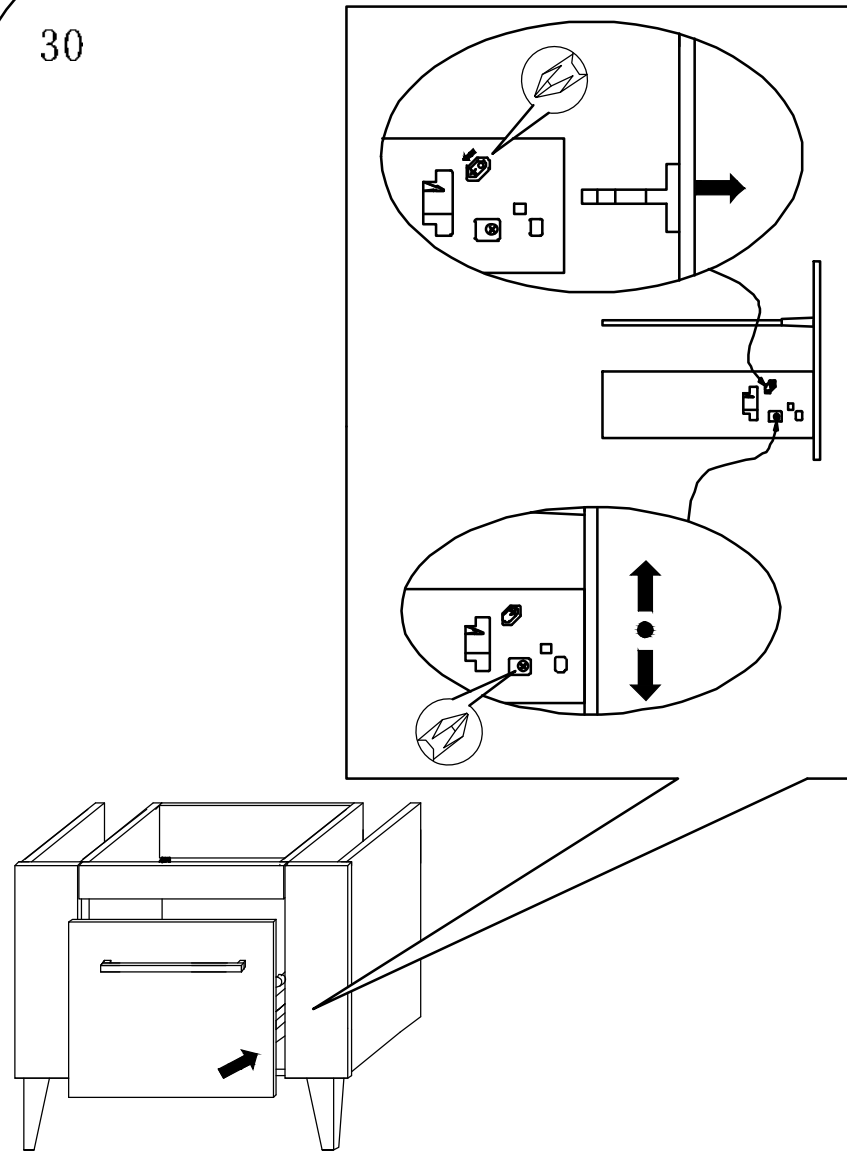
28



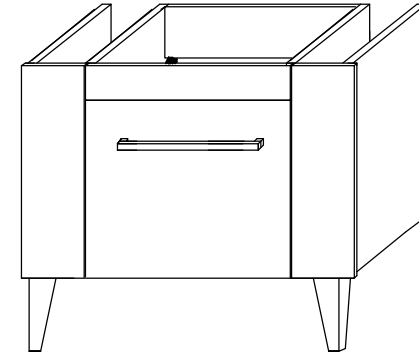
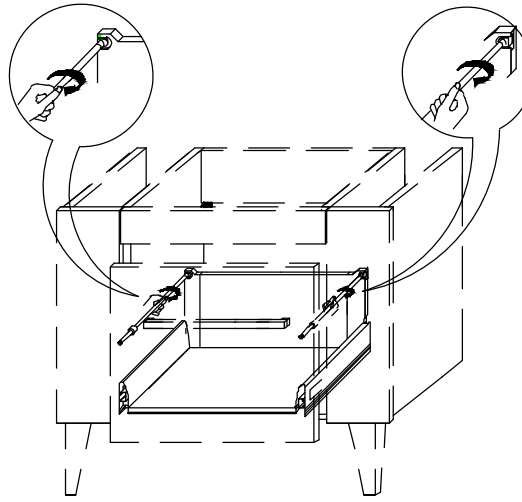
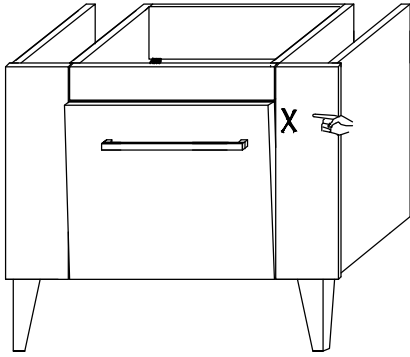
29



30



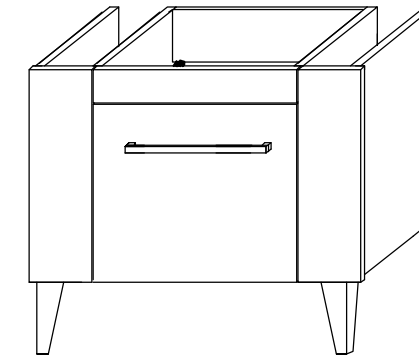
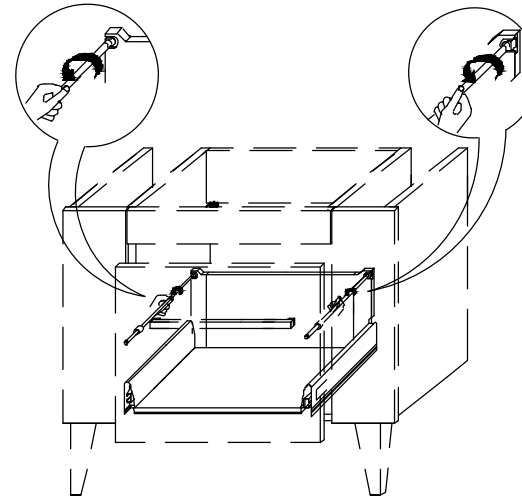
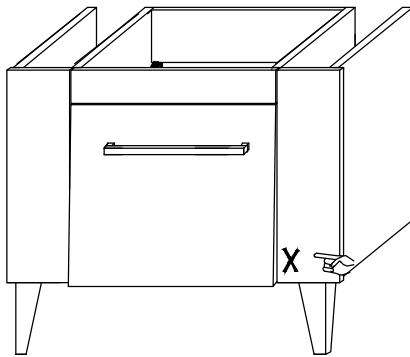
31



If upper gap between drawer door and side panel is too big,
please follow right instruction for the adjustment.

OK after adjustment.

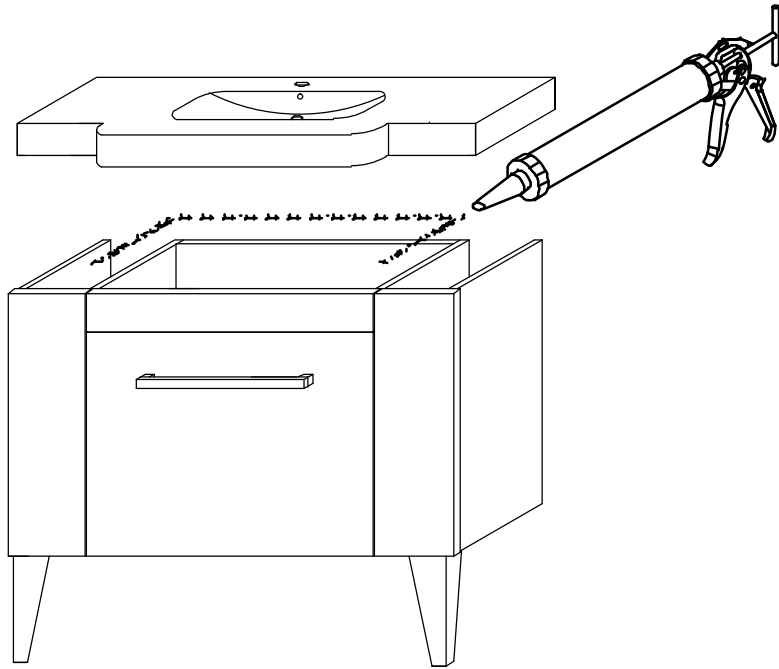
32



If upper gap between drawer door and side panel is too big,
please follow right instruction for the adjustment.

OK after adjustment.

33



34

